

612 SERIES



- Highly accurate, shock resistant and extremely stable over long periods of time
- Advanced diffused semi-conductor and sputtered thin film sensor for maximum stability
- Ranges from 0 inH₂O to 50 inH₂O through 0 psi to 1,000 psi
- Corrosion resistant 316L stainless steel construction
- Reverse polarity protection, short circuit protection and nosecone are standard
- Optional lightning protection
- Optional 5 to 30 Vdc input for 0.5 to 2.5 Vdc output, for field applications
- Optional integrated temperature measurement (PT100 RTD)

FEATURES

- Advanced diffused semi-conductor and sputtered thin film sensor for maximum stability
- High accuracy and long term stability
- Ranges from 0 inH₂O to 50 inH₂O through 0 psi to 1,000 psi
- Corrosion resistant stainless steel construction
- Nosecone standard
- Optional 5-30 Vdc input for 0.5 to 2.5 Vdc output, for field applications
- Optional integrated temperature measurement (PT100 RTD)

APPLICATIONS

- Irrigation
- Food and beverage
- Waste water
- Water distribution
- Level and depth
- Bore hole
- Offshore
- R & D

SPECIFICATIONS

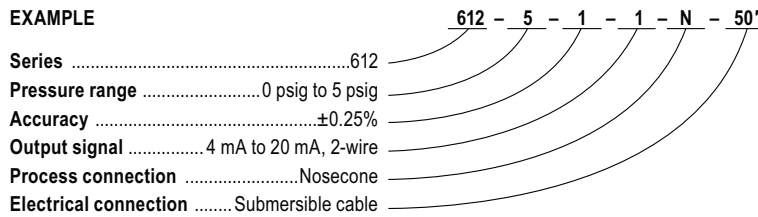
Output signals	4 mA to 20 mA, 2-wire; 0 Vdc to 5 Vdc and 0 Vdc to 10 Vdc, 3-wire; 0.5 Vdc to 2.5 Vdc, 3-wire
Pressure ranges	0 in H ₂ O to 50 in H ₂ O through 0 psig to 1,000 psig
Proof pressure	2 times range
Burst pressure	4 times range
Accuracy	± 0.25% full scale (BFSL); optional ± 0.125% full scale (BFSL); (includes the effects of non-linearity, hysteresis, non-repeatability, zero point and full scale errors)
Repeatability	≤ ± 0.05% full scale
Hysteresis	≤ ± 0.1% full scale
Stability	≤ ± 0.2% full scale for 1 year, non-accumulating
Load limitations	≤ (VPower-10)/0.020 Amp for 4 mA to 20 mA ≥ 10,000 Ω for 0 Vdc to 10 Vdc, 3-wire ≥ 5,000 Ω for 0 Vdc to 5 Vdc, 3-wire
Wetted materials	Housing: 316 stainless steel Cap: Polyamide, 316 stainless steel with weighted nosecone Cable: Polyurethane, PTFE available on special versions PVC with double water block
Power supply*	10 Vdc to 30 Vdc (4 mA to 20 mA, 2-wire) 10 Vdc to 30 Vdc (0 Vdc to 5 Vdc, 3-wire) 5 Vdc to 30 Vdc (0.5 Vdc to 2.5 Vdc, 3-wire) 14 Vdc to 30 Vdc (0 Vdc to 10 Vdc, 3-wire)
Temperature ranges	Compensated 32 °F to 122 °F/0 °C to 50 °C Effect ± 0.01%/°F for zero and span Storage -22 °F to 175 °F/-30 °C to 80 °C Medium 14 °F to 122 °F / -10 °C to 50 °C
Response time	≤ 1 ms (between 10% and 90% full scale)
Durability	> 100,000,000 full scale cycles
Environmental protection	NEMA 6P, IP68
Electromagnetic rating	CE compliant to EMC norm EN61326: 1997/A1: 1998 RFI, EMI and ESD protection
Electrical protection	Reverse polarity protection, short circuit and optional lightning protection per EN 6100-4-5; 1.5J
Shock	Less than ± 0.05% full scale effect for 100 g's @ 20 ms on any axis
Vibration	Less than ± 0.01% full scale effect for 15 g's @ 0 Hz to 2000 Hz on any axis
Weight	Approximately 7 oz. with standard nosecone - cable extra

* Unregulated power supplies

ORDERING INFORMATION						
SERIES	612					
PRESSURE RANGES	50 inH ₂ O	0 inH ₂ O to 50 inH ₂ O	2	0 psig to 2 psig (4.6 ftH ₂ O)	20	0 psig to 20 psig (46.2 ftH ₂ O)
	100 inH ₂ O	0 inH ₂ O to 100 inH ₂ O	3	0 psig to 3 psig (6.9 ftH ₂ O)	25	0 psig to 25 psig (57.7 ftH ₂ O)
	150 inH ₂ O	0 inH ₂ O to 150 inH ₂ O	5	0 psig to 5 psig (11.5 ftH ₂ O)	30	0 psig to 30 psig (69.2 ftH ₂ O)
	200 inH ₂ O	0 inH ₂ O to 200 inH ₂ O	10	0 psig to 10 psig (23.1 ftH ₂ O)	60	0 psig to 60 psig (138.5 ftH ₂ O)
	400 inH ₂ O	0 inH ₂ O to 400 inH ₂ O	15	0 psig to 15 psig (34.6 ftH ₂ O)	100	0 psig to 100 psig (230.8 ftH ₂ O)
	psig = gauge pressure Other ranges available on special request		150	0 psig to 150 psig (346.3 ftH ₂ O)	1000	0 psig to 1,000 psig (2311.0 ftH ₂ O)
ACCURACY	1	±0.25% full scale (BFSL)	2	±0.125% full scale (BFSL)		
OUTPUT SIGNALS	1	4 mA to 20 mA, 2-wire	5	0 Vdc to 10 Vdc, 3-wire		
	2	0 Vdc to 5 Vdc, 3-wire	11	0.5 Vdc to 2.5 Vdc, 3-wire		
PROCESS CONNECTIONS	N	Nosecone	W	Nosecone w/added weight (1.1 lbs.)		
ELECTRICAL CONNECTIONS	-XX	Standard Polyurethane cable	-38-XX	Optional FEP cable		
	-22-XX	Optional water-blocked PVC cable (200+ psi only)				
	NOTE: XX=length of cable in feet.					
OPTION	PTI	PT100 RTD				

Please consult your local NOSHOK Distributor or NOSHOK, Inc. for availability and delivery information.

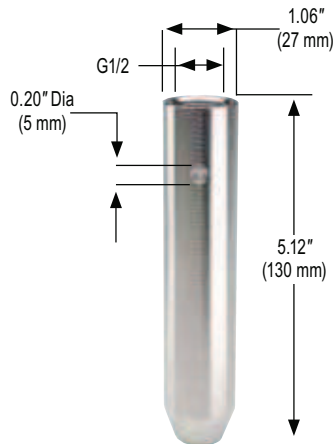
EXAMPLE



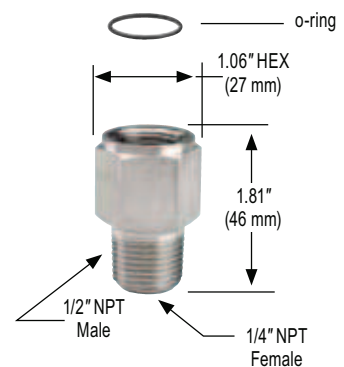
Outline Dimensions



Weighted nosecone



NPT adapter



2-WIRE WIRING

Wiring	Cable
+ Supply	Red
+ Output	Black

3-WIRE WIRING

Wiring	Cable
+ Supply	Red
Common	Black
+ Output	White

Optional Accessories

Dust Filter	612-Filter-Element
Desiccant Cartridge	612-Desiccant Cartridge
Cable Clamp	612-Cable Clamp