



EURO

IMFLUID Ltda.

Compañía N° 1973, Santiago, Chile

Central (fax) : 56-02-6967479

MODEL NO: MEW-AC

WAFER TYPE, BUTTERFLY VALVE

FLUID APPLICATION: WATER, SEAWATER,

AIR, OIL, POWDER, GAS ETC.

FACE-TO-FACE ACC. TO ISO 5752 SHORT PATTERN

ACTUATOR MOUNTING PAD FLANGE ACC. TO ISO 5211

FLANGE REQUIREMENTS:

ANSI 125/150, BS 10 TABLE E, JIS 10K, DIN PN10

RATING:

2"~ 12" (DN50~DN300): 14 BAR (200PSI)

14"~24" (DN350~DN600): 10 BAR (150PSI)

SIZE RANGE: 2"-24"



Materials List:

NO.	NAME	MATERIALS	SPECIFICATION		REMARK
			JIS	ASTM	
1	BODY	Cast Iron	FC 20	A126-B	
		DUCTILE IRON	FCD 45	A-536-65-45-12	
2	DISC	DUCTILE IRON	FCD 45	A-536-65-45-12	
		STAINLESS STEEL	SCS 13	A351 CF8	
			SCS 14	A351 CF8M	
	BRONZE	BC6	B62		
3	STEM	STAINLESS STEEL	SUS 410	A182 F410	
			SUS 304	A182 F304	
			SUS 316	A182 F316	
4	SEAT	NBR (NITRILE)			-10°C ~ 80°C (14°F ~ 176°F)
		EPDM			-20°C ~ 120°C (-4°F ~ 248°F)
		NEOPRENE (CR)			0°C ~ 80°C (32°F ~ 176°F)
		SILICON			-20°C ~ 204°C (-4°F ~ 400°F)
		HYPALON (CSM)			-20°C ~ 135°C (-4°F ~ 275°F)
		VITON			-18°C ~ 204°C (-4°F ~ 400°F)
5	BOTTOM BUSH	BRONZE	BC6	B62	
6	UPPER BUSH	DELIN (ACETAL)			
7	RETAINING PIN	STAINLESS STEEL	SUS 304	A182 F304	
8	O-RING	NBR (NITRILE)			

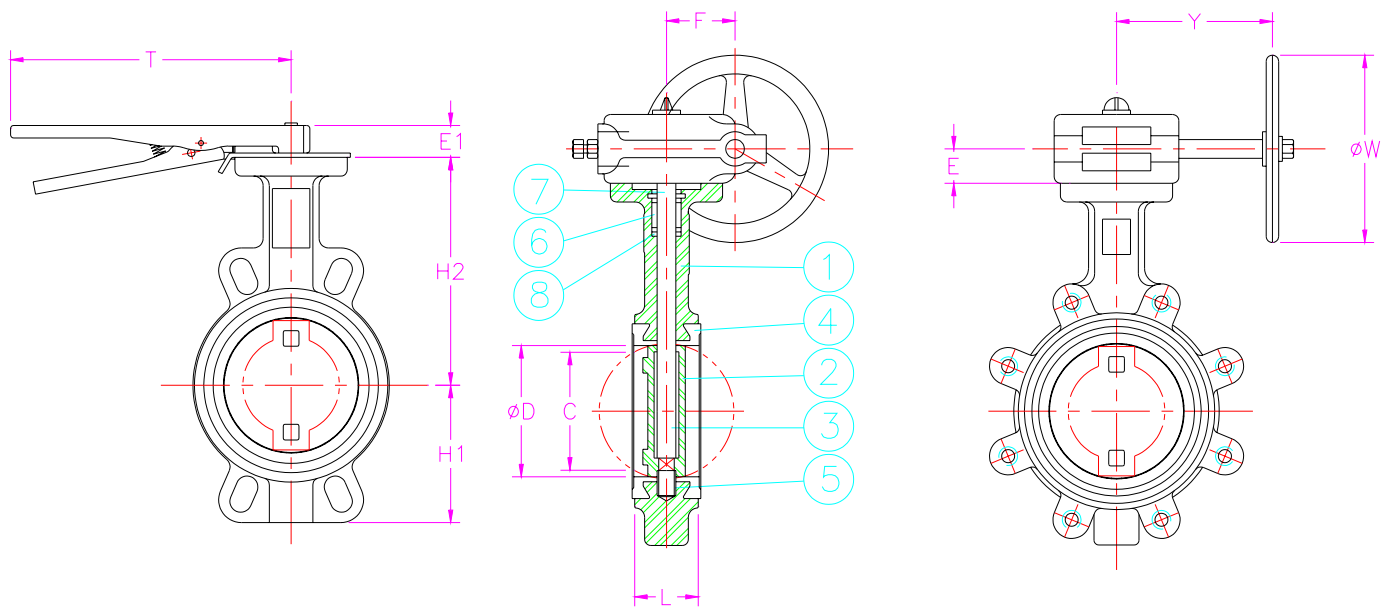
* NBR SEAT APPLICABLE RANGE -10°C ~ 80°C, WHILE

* EPDM SEAT IN -20°C ~ 120°C.

* UPPER BUSHING, MADE BY NON-CORRISIVE HEAVY DUTY DELIN, STRONG ENOUGH TO ABSORB THRUST.

* STEM, DESIGNED WITH SQUARE CONNECTION TO DRIVE DISC, ARE RETAINED IN THE BODY AND ANTI-FULL-OUT PROVED BY MEANS OF PATENT "Q" TYPE MECHANISM. WITH THE PATENT MECHANISM THE VALVE CAN BE DISASSAMBLD COMPLETELY BY USE A SIMPLE SCREW DRIVER.

* WARM GEAR, ELECTRIC ACTUATOR, PNEUMATIC ACTUATOR OPERATED BUTTERFLY VALVES ARE AVAILABLE AS REQUESTED.



Dimension List:

Size		L	C	D	H1	H2	F	E1	E	Y	W	T	Torque NM	ISO 5211	Weight (Kg)	
INCH	MM														LEVER	GEAR
2	50	43	36	57	85	143	45	30	28	125	150	200	20	F07	3.9	7.2
2-1/2	65	46	55	70	90	155	45	30	28	125	150	200	25	F07	4.7	8
3	80	46	66	82	98	162	45	30	28	125	150	200	30	F07	4.9	8.2
4	100	52	89	104	107	181	45	30	28	125	150	260	40	F07	6.8	9.6
5	125	56	102	127	125	197	45	30	28	125	150	260	60	F07	9	11.7
6	150	56	137	150	140	210	45	30	28	125	150	260	70	F07	10	12.6
8	200	60	184	194	170	240	71	33	30	230	250	355	160	F10	17	22
10	250	68	236	247	207	286	71	33	30	230	250	355	240	F10	25	30
12	300	78	286	297	244	309	71	33	30	230	250	355	400	F10	37	42
14	350	78	325	332	272	325	95		40	290	350		830	F14		63
16	400	102	378	387	295	355	95		40	290	350		1110	F14		75
18	450	114	425	436	330	395	95		40	290	350		1390	F14		95
20	500	127	472	488	360	400	114		70	360	350		1730	F16		140
24	600	154	564	581	430	490	114		70	360	350		2020	F16		220

We hereby reserve the rights of any alternative dimension that would help to improve our valve's quality and working efficiency