



DIXON Valves

IMFLUID Ltda.

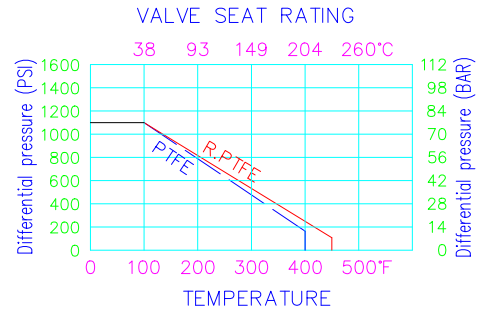
Compañía N° 1973, Santiago, Chile
Central (fax) : 56-02-6967479



MODEL: DX3VLF

- * 3-Way/4Way 4 Seat 1000 WOG Ball Valve
- * Direct-Mounting Of Actuators To Valves
- * High Cycle Self-Adjusting Stem Seal Offers Significantly Extra Longer Cycle Life
- * Self-Adjusting Stem Packing Assembly With **Belleville Spring** For Temperature Fluctuations, Vibration And Is Secured
- * Square Stem can be with direct Mount without Bracket /Adaptor.
- * Bottom Entry Blow-Out Proof Stem Provides Maximum Safety
- * Twin ISO 5211 Mounting Pad For Double Active & Spring Return Actuator
- * Full/Reduced Port; L-port / Double L-port / T-port is Available.
- * Connect: Threaded, ButtWeld, SocketWeld, Flanged End,
- * Except actuating service, handle lever is available for Manual Optional
- * DIN 50049 3.1B Certificate
- * SIZE: 1/2" ~ 8"

PORT TYPE	1	2	3	4
L				
T				
DL				



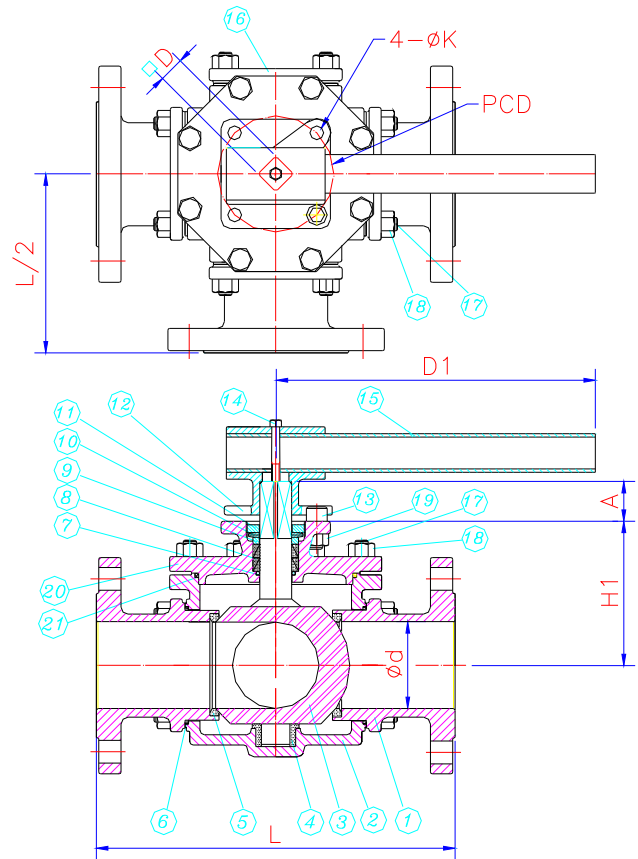
Flange End DIMENSIONS LIST:

LT: End-to-end (threaded)

SIZE	d	L						LT	H1	A	D1	K	D	PCD	ISO 5211
		150	300	PN16	PN40	10K	20K								
1/2"	15	152	160	160	160	152	160		41	11	130	6, 6	9	36, 42	F03, F04
3/4"	20	167	177	177	177	167	177		49	14	165	6, 7	11	42, 50	F04, F05
1"	25	190	200	200	200	190	200		55	14	165	6, 7	11	42, 50	F04, F05
1-1/4"	32	208	218	218	218	208	218		63	18	205	7, 9	14	50, 70	F05, F07
1-1/2"	38	220	234	234	234	220	234		74	18	205	7, 9	14	50, 70	F05, F07
2"	50	253	273	273	273	253	273		93	23	325	9, 11	17	70, 102	F07, F10
2-1/2"	62	300	300	300	300	300	300	294	118.5	25	400	11	22	102	F10
3"	76	305	330.4	305	330.4	305	330.4	317	136.5	25	500	11	22	102	F10
4"	96	368.5	393.5	368.5	393.5	368.5	393.5	369	200	25	650	11	22	102	F10
5"	125	418							139.5	59	860	M12	28	125	F12
6"	150	427	468	427					160	62	1200	M12	36	125	F12
8"	200	532		532					201	62	1500	M12	36	125	F12
10"	248	660							252	93	2000	M16	36	140	F14
12"R	248	660							252	93	2000	M16	36	140	F14

Materials LIST:

No.	Part Name	Material
1	End Cap	ASTM A351 CF8M
2	Body	ASTM A351 CF8M
3	Ball & Stem	ASTM A351 CF8M
4	Bush	R.PTFE + Stainless Steel
5	Ball Seat	R. PTFE + 15%GF
6	Body Seal	PTFE
7	O-Ring	Viton
8	Stem Packing	PTFE
9	Gland	SS304
10	Belleville Washer	SS301
11	Gland Nut	SS304
12	Handle Head	SS304
13	Stop Pin	SS304
14	Handle Bolt	SS304
15	Handle	SS304
16	Blind Cap	ASTM A351 CF8M
17	Stub	SS304
18	Nut	SS304
19	Nut	SS304
20	Bonnet	ASTM A351 CF8M
21	Gasket	PTFE



We hereby reserve the rights of any alternative dimension that would help to improve our valve's quality and working efficiency