

High Quality
Best Service
3wayBall-valve
Art

DIXON Valves

IMFLUID Ltda.

Compañía N° 1973, Santiago, Chile
Central (fax) : 56-02-6967479

MODEL : DX 3 Vias Tipo "L"

3-WAY 4 SEAT BALL VALVE

WORKING PRESSURE : 1000 PSI (WOG)

BALL SEAT TEST : 6.00 KG/CM2 BY AIR

HYDROSTATIC TEST : 84.50KG/CM2

REDUCED PORT/STAINLESS STEEL

L-PORT OR T-PORT WITH ISO 5211 MOUNTING PAD

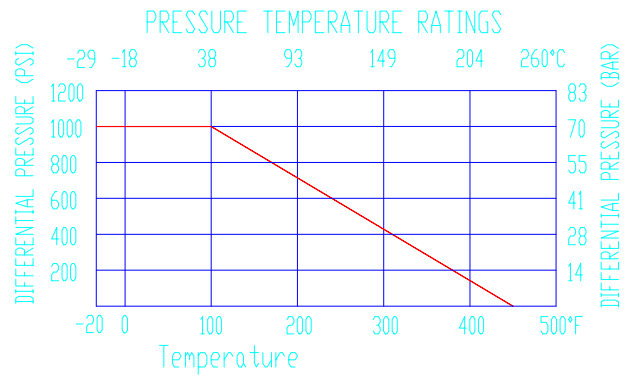
THREADED (NPT, BSPP , BSPT,DIN ENDS)

90° TURNTABLE HANDLE



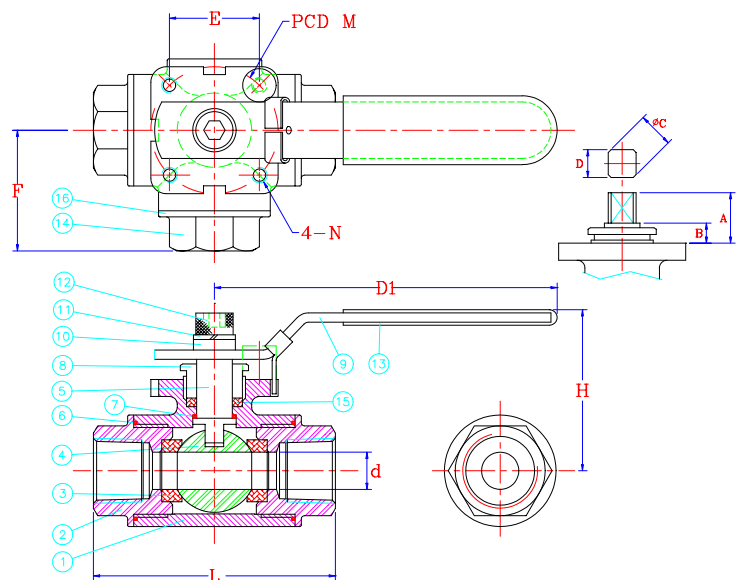
DIMENSIONS LIST:

SIZE	d	A	B	C	D	E	F	H	L	N	M	ISO 5211
1/4"	11	11	6	12	9	29.7	34	58	68	M5X0.8P	42	F04
3/8"	11	11	6	12	9	29.7	34	58	68	M5X0.8P	42	F04
1/2"	12.7	11	6	12	9	29.7	37.5	61	75	M5X0.8P	42	F04
3/4"	16	13	6	15	11	35.4	43	74	86	M6X1.0P	50	F05
1"	20	19	7.5	15	11	35.4	54.5	81	103	M6X1.0P	50	F05
1-1/4"	25	19	7.5	15	11	35.4	57.5	88	115	M6X1.0P	50	F05
1-1/2"	32	23.5	8.5	15	11	49.5	62.5	104	125	M8X1.25P	70	F07
2"	38.1	23.5	8.5	18.5	14	49.5	73	110	146	M8X1.25P	70	F07



MATERIAL SPECIFICATIONS

NO	PART NAME	Qty	MATERIAL
1	BODY	1	ASTM A351 CF8M
2	END CAP	2	ASTM A351 CF8M
3	BALL SEAT	4	REINFORCED PTFE
4	SOLID BALL	1	ASTM A351 CF8M
5	STEM	1	SS316
6	BODY SEAL	2	REINFORCED PTFE
7	THRUST WASHER	1	REINFORCED PTFE
8	PACKING NUT	1	SS304
9	HANDLE	1	SS304
10	HANDLE WASHER	1	SS304
11	WASHER	1	SS304
12	HANDLE BOLT	1	SS304
13	GRIP	1	PLASTIC
14	END CAP	1	ASTM A351 CF8M
15	STEM PACKING	1	REINFORCED PTFE
16	BODY SEAL	1	REINFORCED PTFE



PORT TYPE	1	2	3	4
L				
T				