

Diaphragm Type Globe Valves 2550 Series

Application

The 2550 series valves are designed for use in hospital and industrial piping systems where gases are supplied from a central source to branch outlets throughout the system.

Features

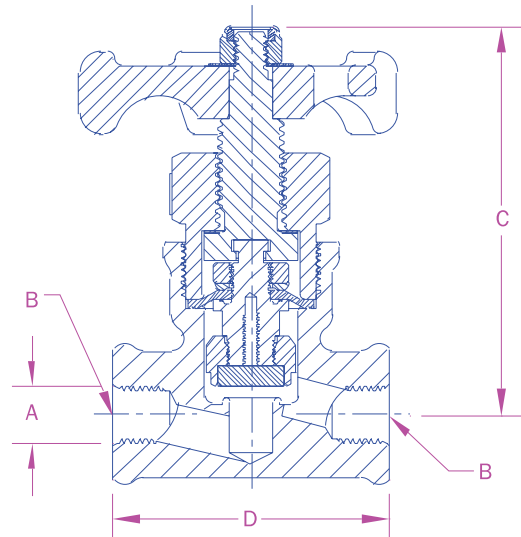
- UL listed for use with air, acetylene, hydrogen, LP-Gas, nitrogen, and oxygen service.
- Leakage is prevented by a dependable diaphragm stem seal.
- A resilient seat disc provides positive shut-off.
- Heavy duty ACME stem threads assure easy operation and long working life.
- Maximum working pressure is 250 PSIG.
- Working temperature range is -40°F to +165°F.
- 100% Factory Tested



2554AC

Materials

Body (2553 series)	Forged Brass
Body (2554 series)	Cast Bronze, Tin Plated
Handwheel.....	Aluminum
Seat Disc	Filled Teflon
Diaphragm	Neoprene
Bonnet	Brass
Stem	Manganese Bronze



Ordering Information

Part Number	Inlet/Outlet Thread (Female NPT) A	Port Diameter B	Height C	Length D	Cv Factor
2553AC	1/4"	13/32"	3 3/8"	2 1/2"	1.4
2553AAC	3/8"				1.5
2554AC	1/2"	1 1/16"		3 1/8"	4.3
2554AAC	3/4"				4.3

Diaphragm Type Globe Valves 2500 Series

Application

The 2500 series valves are designed for use in hospital and industrial piping systems where gases are supplied from a central source to branch outlets throughout the system.

Features

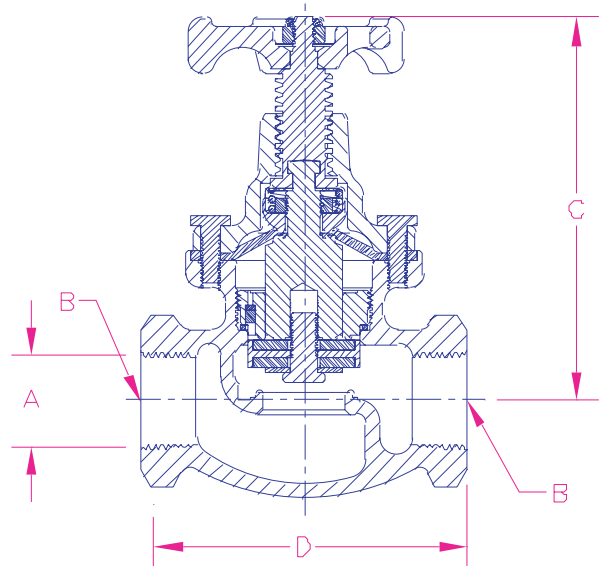
- UL listed for use with air, argon, acetylene, helium, hydrogen, LP-Gas, nitrogen, inert gases and oxygen service.
- Leakage is prevented by a dependable diaphragm stem seal.
- A resilient seat disc provides positive shut-off.
- Heavy duty ACME stem threads assure easy operation and long working life.
- Unique back seat design allows the diaphragm assembly to be repaired while the valve remains in service.
- Maximum working pressure is 400 PSIG.
- Working temperature range is -40°F to +165°F.
- 100% Factory Tested



2505AC

Materials

Body Cast Bronze, Tin Plated
 Bonnet Brass
 Stem Manganese Bronze
 Seat Disc Neoprene
 Diaphragm Neoprene



Ordering Information

Part Number	Inlet/Outlet Thread (Female NPT) A	Port Diameter B	Height C	Length D	Cv Factor
2505AC	3/4"	15/16"	5 1/4"	4"	9.0
2507AC	1"	1 1/8"	5 3/8"	4 3/8"	15.0
2511AC	1 1/2"	1 11/16"	6 3/4"	5 3/8"	33.4
2513AC	2"	2 5/16"	7 1/4"	6 1/4"	51.7